


SLXF-1055-12

10Gbps XFP Optical Transceiver, 120km Reach

Features

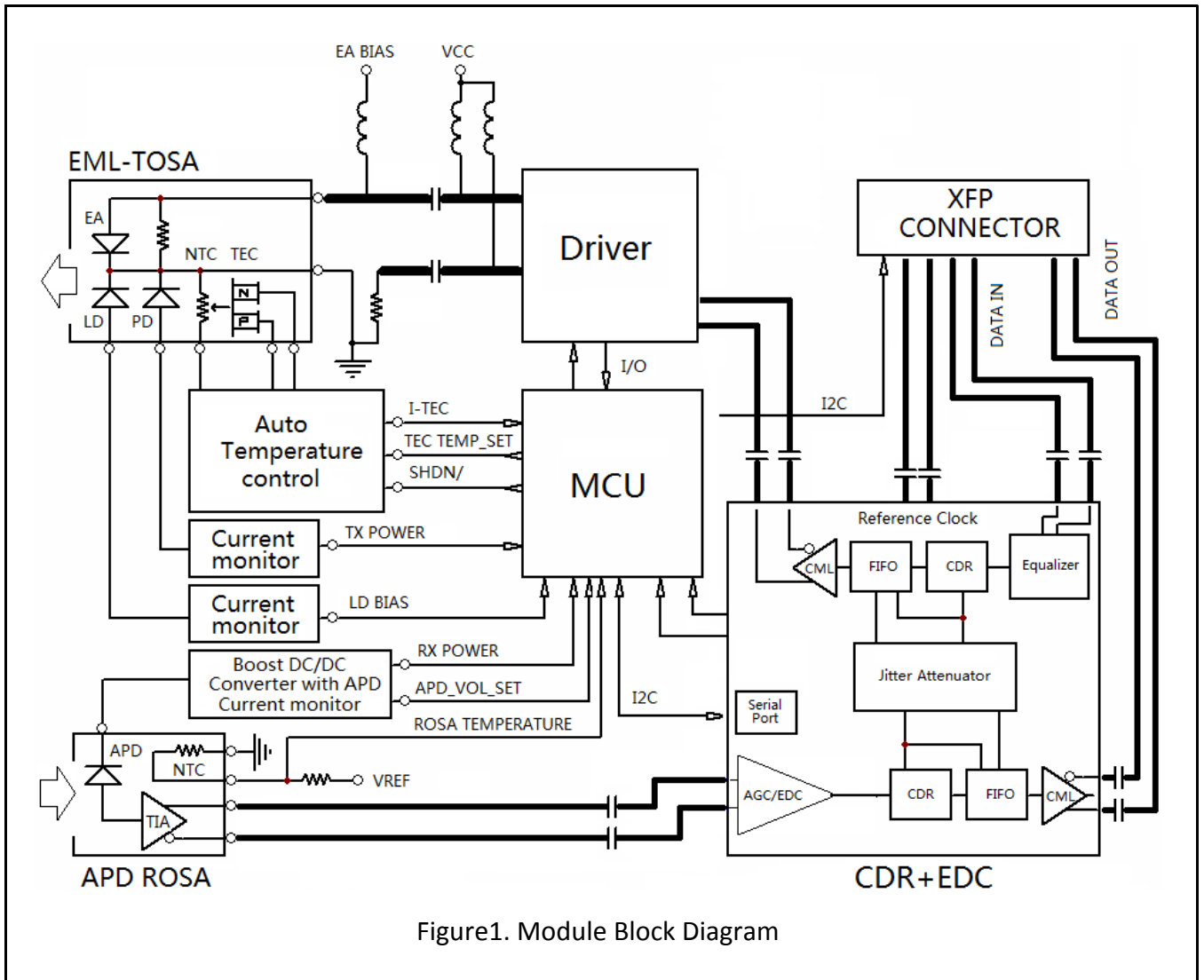
- XFP MSA Rev 4.5 Compliant
- Data rate from 9.95Gbps to 11.3Gbps
- Cooled EML with isolator
- APD receiver
- link length up to 120km (with amplifier)
- Low Power Dissipation 3.5W Maximum
- XFI and lineside loopback Mode Supported
- -5°C to 70°C Operating Case Temperature
- Diagnostic Performance Monitoring of module temperature, Supply Voltages, laser bias current, transmit optical power, and receive optical power
- RoHS compliant (lead free) 

Applications

- SONET OC-192&SDH STM 64
- Ethernet (10GBASE and 10GBASE with FEC)
- Fiber Channel (10G and 10G with FEC)

Description

Sourcelight 120km XFP Transceiver is designed for 10G SDH/SONET and 10G Fiber Channel applications. The transmitter section incorporates a cooled EML laser, and the receiver section consists of an APD photodiode integrated with a TIA, Integrated low power dual CDR with Electronic Dispersion Compensation (EDC). This module can be used to compensate channel impairments caused by either single mode fiber up to 120 km. All modules satisfy class I laser safety requirements. Sourcelight XFP transceiver provides an enhanced monitoring interface, which allows real-time access to device operating parameters such as transceiver temperature, laser bias current, transmitted optical power, and received optical power and transceiver supply voltage.



Absolute Maximum Ratings

Parameter	Symbol	Min	Max	Unit
Supply Voltage 1	Vcc3	-0.5	4.0	V
Supply Voltage 2	Vcc5	-0.5	6.0	V
Supply Voltage 3	Vcc2	-0.5	2	V
Storage Temperature	Tst	-40	85	°C
Case Operating Temperature	Top	-5	70	°C

Operating Conditions

Parameter	Symbol	Min	Typical	Max	Unit
Supply Voltage 1	V _{cc3}	3.13	3.3	3.47	V
Supply current 1	I _{cc3}	-	-	750	mA
Supply Voltage 2	V _{cc5}	4.75	5	5.25	V
Supply current 2	I _{cc5}	-	-	500	mA
Supply Voltage 3	V _{cc2}	1.71	1.8	1.89	V
Supply current 3	I _{cc2}	-	-	750	mA
Operating Case temperature	T _{ca}	-5	-	70	°C
Module Power Dissipation	P _m	-	-	3.5	W

Transmitter Specifications – Optical

Parameter	Symbol	Min	Typical	Max	Unit
Data Rate Multirate	M _{ra}	9.95	-	11.3	Gbps
Center Wavelength	λ _c	1530	-	1565	nm
Optical Transmit Power	P _o	0	-	+4	dBm
Optical Transmit Power (disabled)	PTX_DIS	-	-	-30	dBm
Extinction Ratio	ER	9	-	-	dB
Jitter Generation(P-P)	JG P-P	-	-	0.1	UI
Jitter Generation(RMS)	JG RMS	-	-	0.01	UI
Spectral Width (-20dB)	Δλ ₂₀	-	-	0.3	nm
Side Mode Suppression Ratio	SMSR	30	-	-	dB
Dispersion penalty(2400ps/nm) [1]	DP1	-	-	2	dB
Dispersion penalty(2400ps/nm) [2]	DP2	-	-	4	dB
Relative Intensity Noise	RIN	-	-	-130	dB/Hz
Eye Mask	Compliant with ITU-T G.691 STM-64 eye mask				

Note :

1. BER=10⁻¹²; PRBS 2³¹-1@9.95Gbps
2. BER=10⁻¹²; PRBS 2³¹-1@11.3Gbps

Transmitter Specifications – Electrical

Parameter	Symbol	Min	Typical	Max	Unit
Input differential impedance	R _{im}	-	100	-	Ω
Differential data Input	V _{txDIFF}	120	-	850	mV
Transmit Disable Voltage	V _D	2.0	-	V _{cc3} +0.3	V
Transmit Enable Voltage	V _{en}	0	-	+0.8	V
Transmit Disable Assert Time	V _n	-	-	10	μs

Receiver Specifications – Optical

Parameter	Symbol	Min	Typical	Max	Unit
Data Rate Multirate	M _{ra}	9.95	-	11.3	Gbps
Receiver Sensitivity 9.95Gb/s [1]	R _{sens9}	-	-	-24	dBm
Receiver Sensitivity 11.3Gb/s [1]	R _{sens11}	-	-	-23	dBm
Maximum Input Power	R _{X-overload}	-7	-	-	dBm
Input Operating Wavelength	λ	1528	-	1565	nm
Reflectance	R _{rx}	-	-	-27	dB
Loss of Signal Asserted	LOS_A	-34	-	-	dBm
LOS De-Asserted	LOS_D	-	-	-24	dBm
LOS Hysteresis	LOS_H	0.5	-	-	dB

Note :

1. BER=10⁻¹²; PRBS 2³¹-1;

Receiver Specifications – Electrical

Parameter	Symbol	Min	Typical	Max	Unit
Output differential impedance	R _{om}	-	100	--	Ω
Differential Output Swing	V _{out P-P}	350	-	850	mV
Rise/Fall Time [1]	T _r / T _f	24	-	-	ps
Loss of Signal –Asserted	VOH	2	-	V _{cc3} +0.3-	V
Loss of Signal –Negated	VOL	GND	-	GND+0.5	V

Note :

1. 20%-80%;

Reference Clock

Parameter	Symbol	Min	Typical	Max	Unit
Clock Differential Input Impedance	Cl	80	100	120	Ω
Differential Input Clock Amplitude (p-p)	DCA	640-	-	1600	mV
Reference Clock Duty Cycle	RCY	40	-	60	%
Reference Clock Rise/Fall Time [1]	Tr/Tf	200	-	1250	ps
Reference Clock Frequency	fu	-	Baud/64	-	MHz

Note :

1. 20%-80%;

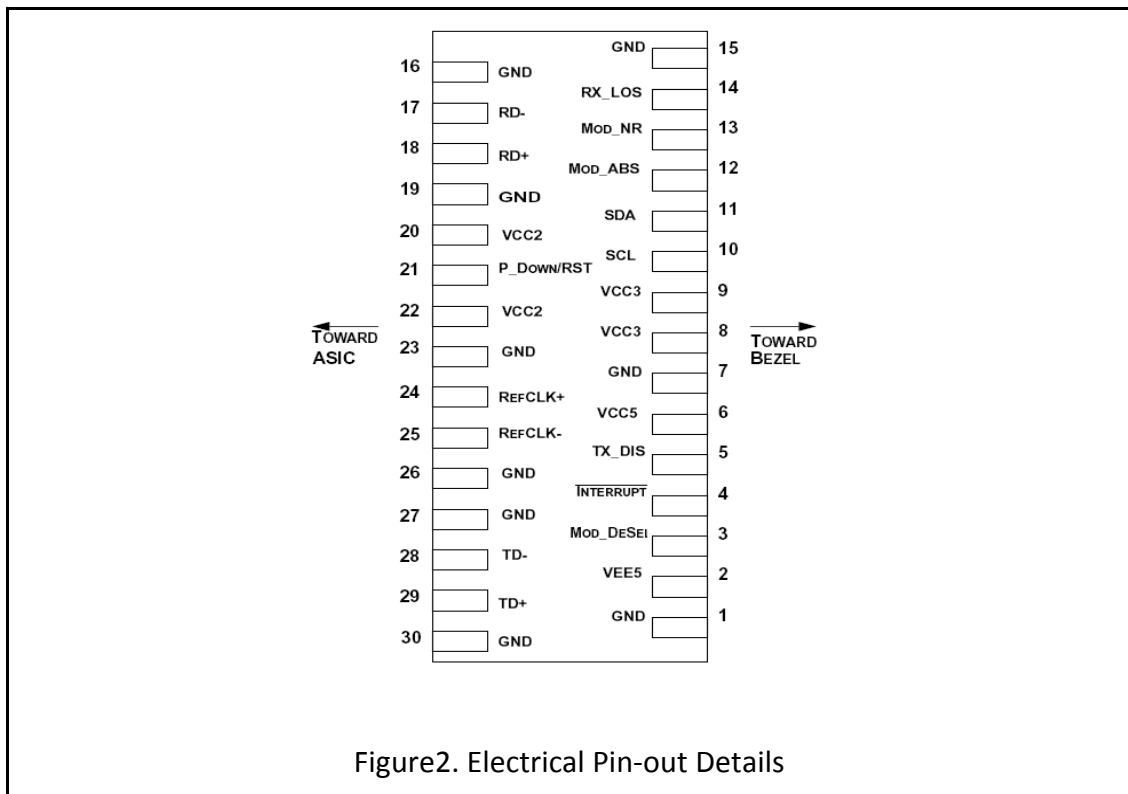
Pin Descriptions

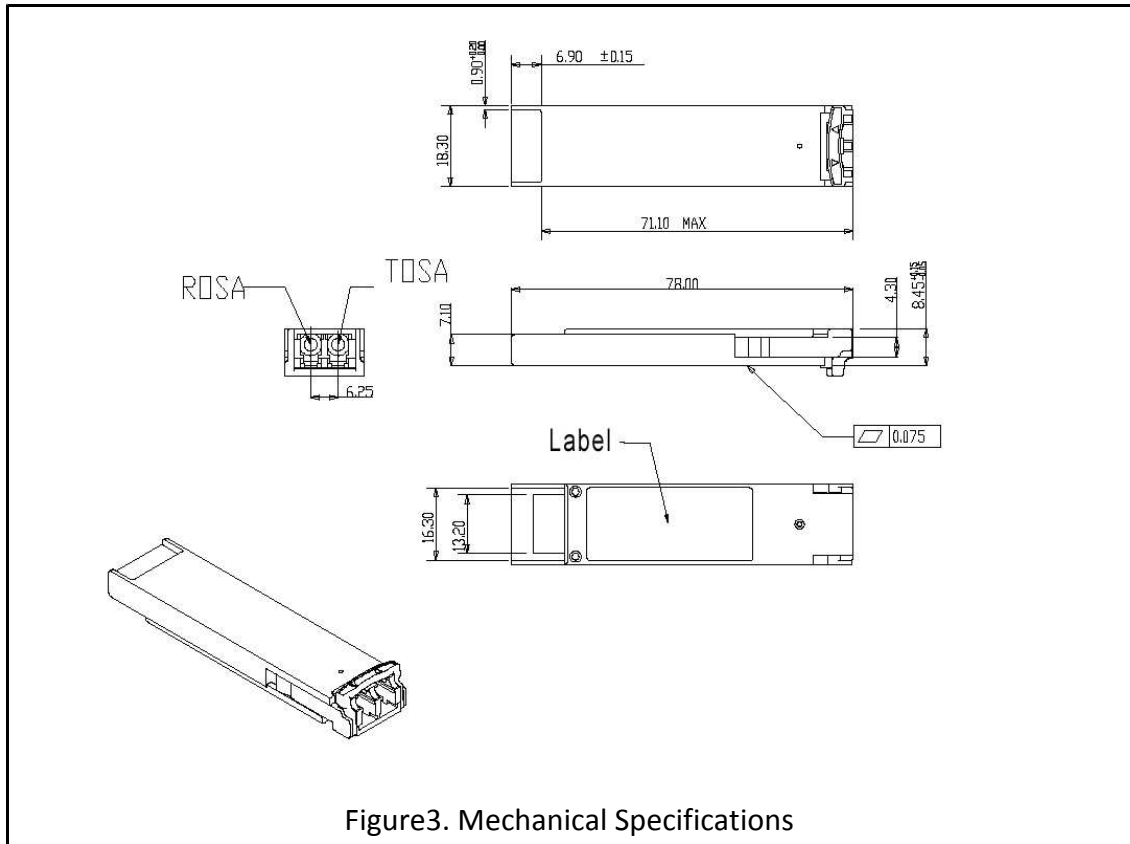
Pin	Logic	Symbol	Name/Description	Ref.
1		GND	Module Ground	1
2		VEE5	Optional -5.2 Power Supply – Not required	
3	LVTTTL-I	Mod-Desel	Module De-select; When held low allows the module to , respond to 2-wire serial interface commands	
4	LVTTTL-O	Interrupt	Interrupt (bar); Indicates presence of an important condition which can be read over the serial 2-wire interface	2
5	LVTTTL-I	TX_DIS	Transmitter Disable; Transmitter laser source turned off	
6		VCC5	+5 Power Supply	
7		GND	Module Ground	1
8		VCC3	+3.3V Power Supply	
9		VCC3	+3.3V Power Supply	
10	LVTTTL-I	SCL	Serial 2-wire interface clock	2
11	LVTTTL- I/O	SDA	Serial 2-wire interface data line	2
12	LVTTTL-O	Mod_Abs	Module Absent; Indicates module is not present. Grounded in the module.	2
13	LVTTTL-O	Mod_NR	Module Not Ready;	2
14	LVTTTL-O	RX_LOS	Receiver Loss of Signal indicator	2
15		GND	Module Ground	1
16		GND	Module Ground	1
17	CML-O	RD-	Receiver inverted data output	
18	CML-O	RD+	Receiver non-inverted data output	
19		GND	Module Ground	1
20		VCC2	+1.8V Power Supply	
21	LVTTTL-I	P_Down/RST	Power Down; When high, places the module in the low power stand-by mode and on the falling edge of P_Down initiates a module reset Reset; The falling edge initiates a complete reset of the module including the	

			2-wire serial interface, equivalent to a power cycle.	
22		VCC2	+1.8V Power Supply	
23		GND	Module Ground	1
24	PECL-I	RefCLK+	Reference Clock non-inverted input. AC coupled on the host board	3
25	PECL-I	RefCLK-	Reference Clock inverted input. AC coupled on the host board	3
26		GND	Module Ground	1
27		GND	Module Ground	1
28	CML-I	TD-	Transmitter inverted data input	
29	CML-I	TD+	Transmitter non-inverted data input	
30		GND	Module Ground	1

Notes:

1. Module circuit ground is isolated from module chassis ground within the module.
2. Open collector; should be pulled up with 4.7k – 10k ohms on host board to a voltage between 3.15V and 3.6V.
3. Reference Clock input is required.





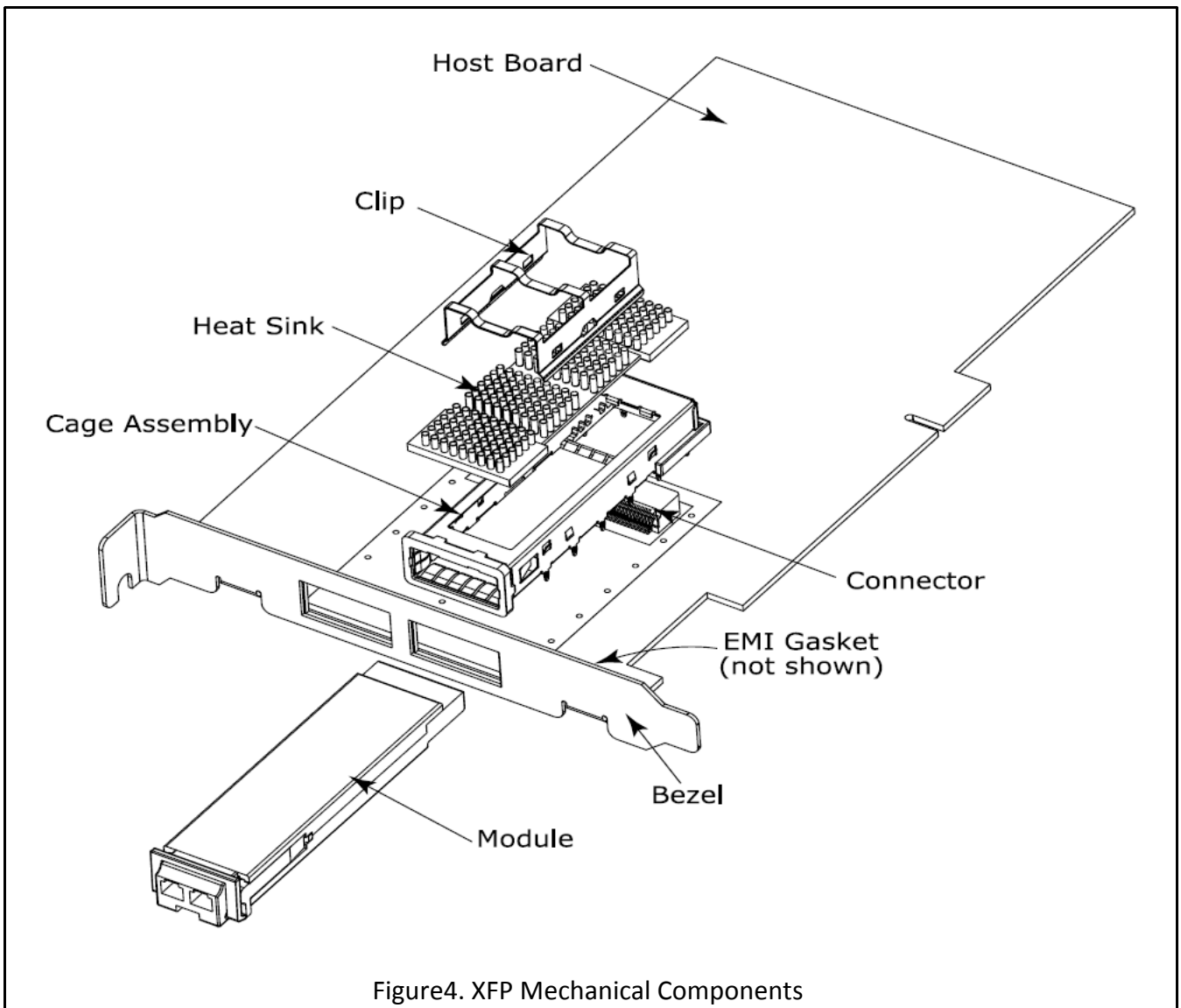


Figure4. XFP Mechanical Components

The mechanical components defined :

1. The module, clip and connector dimensions are constant for all applications. While the bezel, cage assembly, EMI gasket and heat sink can be designed and/or adjusted for the individual application.
2. The relatively small form factor of the XFP module combined with an adaptable heatsink option allows host system design optimization of module location, heatsink shape/dimension/fins design, and airflow control. The module can be inserted and removed from the cage with the heat sink and clip attached.

Ordering information

Part Number	Product Description
SLXF-1055-12	XFP 10Gbps, 1550nm, 120km, -5°C ~ +70°C